

SPECIFICATIONS PICO-LINE 8MM COUPLER PLUGS (3 AND 4 POLE)

- Female Plug
- 24 AWG Conductors
- 105°C PVC Cable
- Straight and Right Angle Versions
- IEC Color Code
- Meets Current SAE #H1738-2 Specifications
- Vibration Resistant Ratchet Coupler Design



TECHNICAL DATA

Agency Approvals



File #E 169897

Electrical Data

Contact Resistance:

≤ 5mΩ

Current Rating:

See chart with
part number detail

Voltage Rating:

60 VAC RMS / 75 VDC

Dielectric Withstand Voltage:

1000 VAC

Environmental Data

Protection:

NEMA 1, 3, 4, 6P and 13; IEC IP 68

Temperature Range:

-40°C to +105°C

Material Data

Body:

Yellow, PVC

Insert:

Yellow, PUR

Cable:

AWM UL style 2661, PVC

Contacts:

Machined Brass

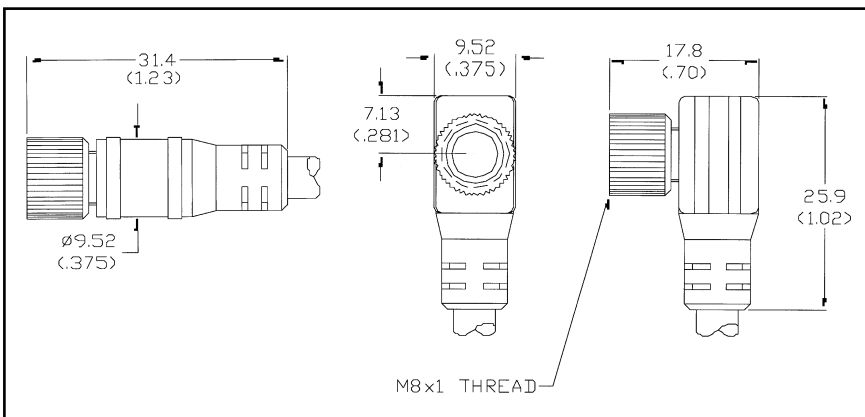
Contact Plating:

30 micro-inches of 24 karat Gold over 50 micro-inches of Nickel

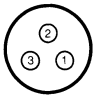
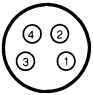
Coupling Nut:

Machined Brass with black epoxy coat

DIMENSIONS



PICO-LINE 8MM FEMALE PLUG WITH **MACHINED BRASS** COUPLING NUT

POLES	FACE VIEW FEMALE	COLOR CODE	RATING	AWG	CABLE LENGTH (METERS)	STRAIGHT	RIGHT ANGLE
3		1. Brown 2. Black 3. Blue	4A	24	2 5	5000125-3 5000125-6	5000125-8 5000125-11
4		1. Brown 2. White 3. Blue 4. Black	4A	24	2 5	5000128-3 5000128-6	5000128-8 5000128-11

Note: Special lengths available upon request — consult factory.